


Portone



okamura



A design that plially supports the sitter.



A small frame that contoured to the beautiful curves of the chair back.
Sit, and the chair moves plially to firmly support the hips.
A style born of Okamura's obsession with studying the human body.
Function and design become as one to give rise to such comfort.

Portone

A refined sense of being.



A simple, square form. The design combines a sense of high class refinement with a glittering back frame. An unceremonious individuality and sense of being are revealed in a diversity of office scenes.



Function

Reclining



1 Reclining Tension Adjustment
Reclining tension can be adjusted by rotating the dial located under the center of the seat. To harden the tension, rotate it clockwise, and to lessen, turn it counterclockwise.

2 Lock and Release of Backrest
The backrest can be locked and released by pulling out the lever located underneath the seat on the right-hand side. The backrest can only be locked when it's upright.

Adjustable seat depth



You can adjust the depth of the seat by operating the lever on the left of the seat (stroke: 55mm).

Lumbar Support



The lumbar support that firmly grasps the lower back can be adjusted within a vertical range of 60mm to match your physical requirement.

Adjustable seat height



You can adjust the height of the seat by pulling up the lever under the seat on the right (stroke: 120mm).



Leaning against the backrest bends the lumbar support softly so it firmly supports the back.

Adjustable Arms (3D Arms)



The up and down (1D), angle (2D), back and forth (3D), positioning of the arm pads are adjustable. The respective movable ranges are 62mm for up and down, 15 degrees for inside, 15 degrees for outside, 40mm for back and forth.

Headrest Adjustment



Headrest height can be adjusted by sliding up the headrest (stroke: 50mm).

Specifications

Chair Type



Extra High Back



High Back

Option



Headrest

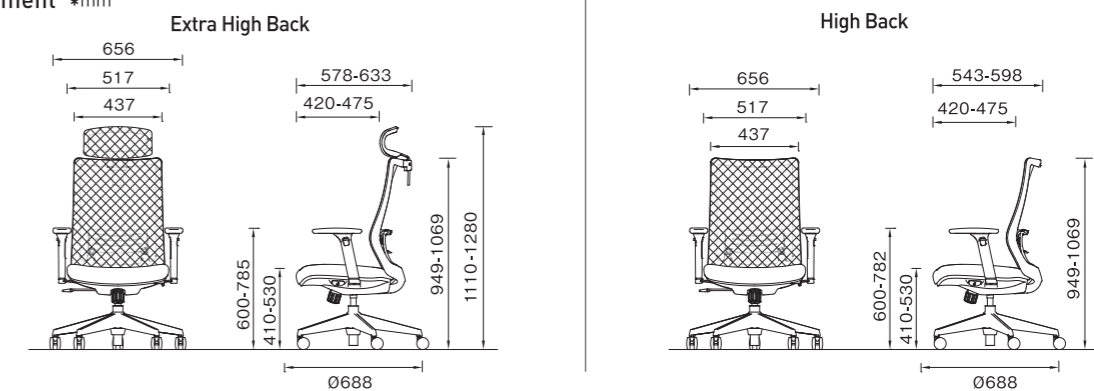


Adjustable Armrest

Color

	Black×Black	Black×Blue	Black×Green	Black×Red	Black×Gray	Black×Orange
BACK						
SEAT						
	FJD1 (FSL1+FHR1)	FJD6 (FSL1+FHR6)	FJD5 (FSL1+FHR5)	FJD9 (FSL1+FHR9)	FJD2 (FSL1+FHR2)	FJD8 (FSL1+FHR8)

Measurement *mm



okamura

OKAMURA CORPORATION

International Sales & Marketing Div.

2-14-27, Akasaka, Minato-ku, Tokyo 107-0052, JAPAN

Tel: +81-3-5561-4085 Fax: +81-3-5561-4086

<http://www.okamura.jp/>

The products listed in this catalog are available as of September 2016. Please note that specifications, dimensions, and colors are subject to change without notice. The colors of the actual products may differ somewhat from the colors shown in the catalog, depending on printing conditions.

YOCK09-691 P.SG '16-09 Printed in Japan